

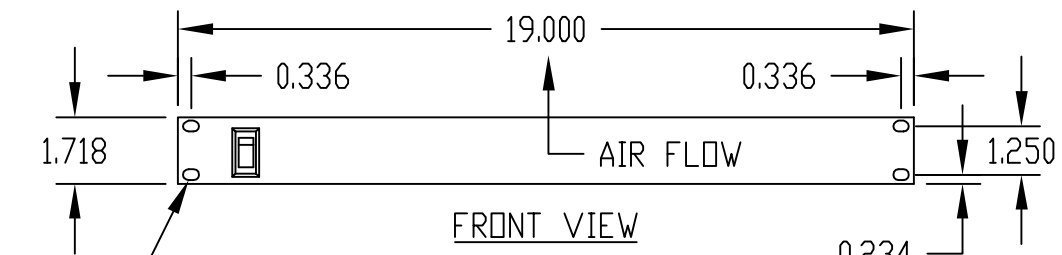
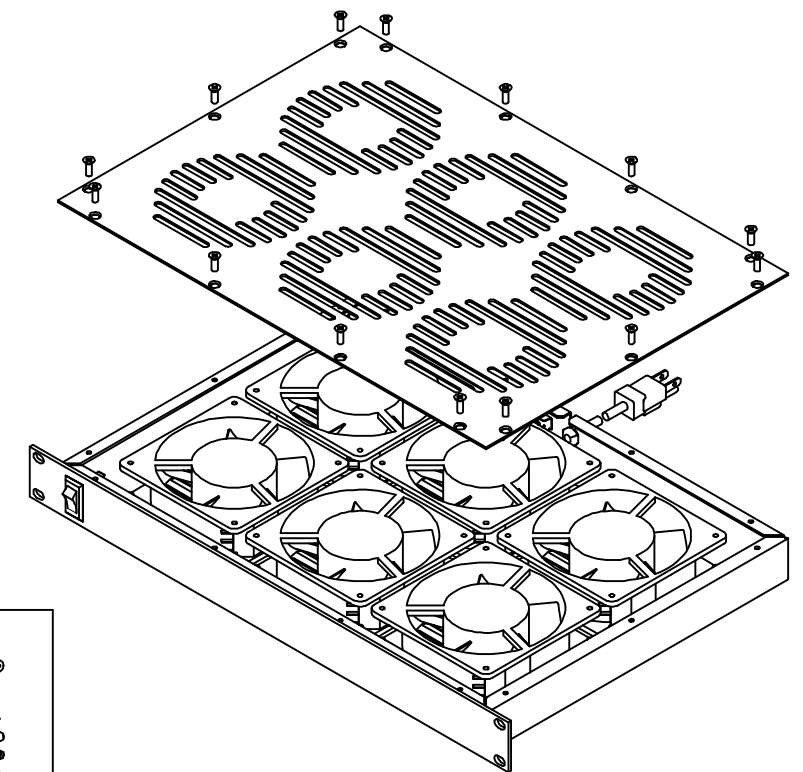
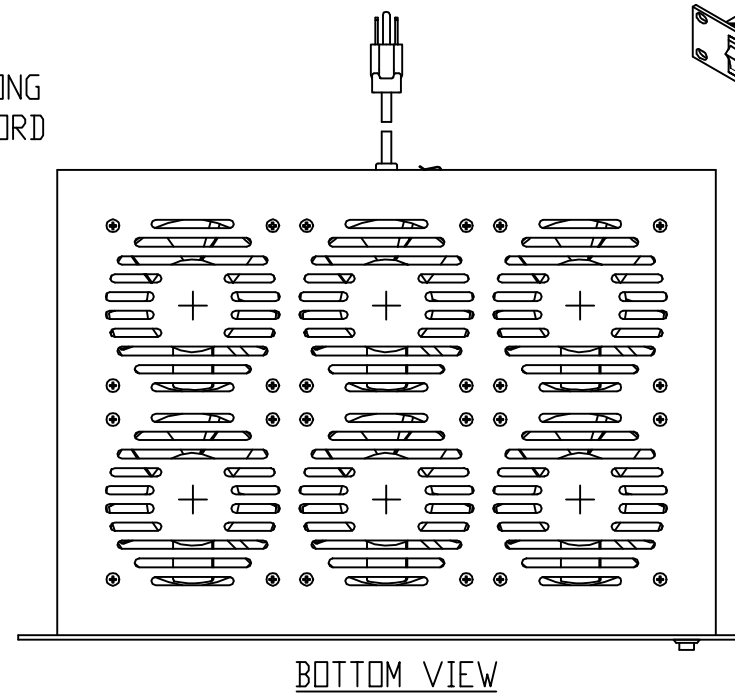
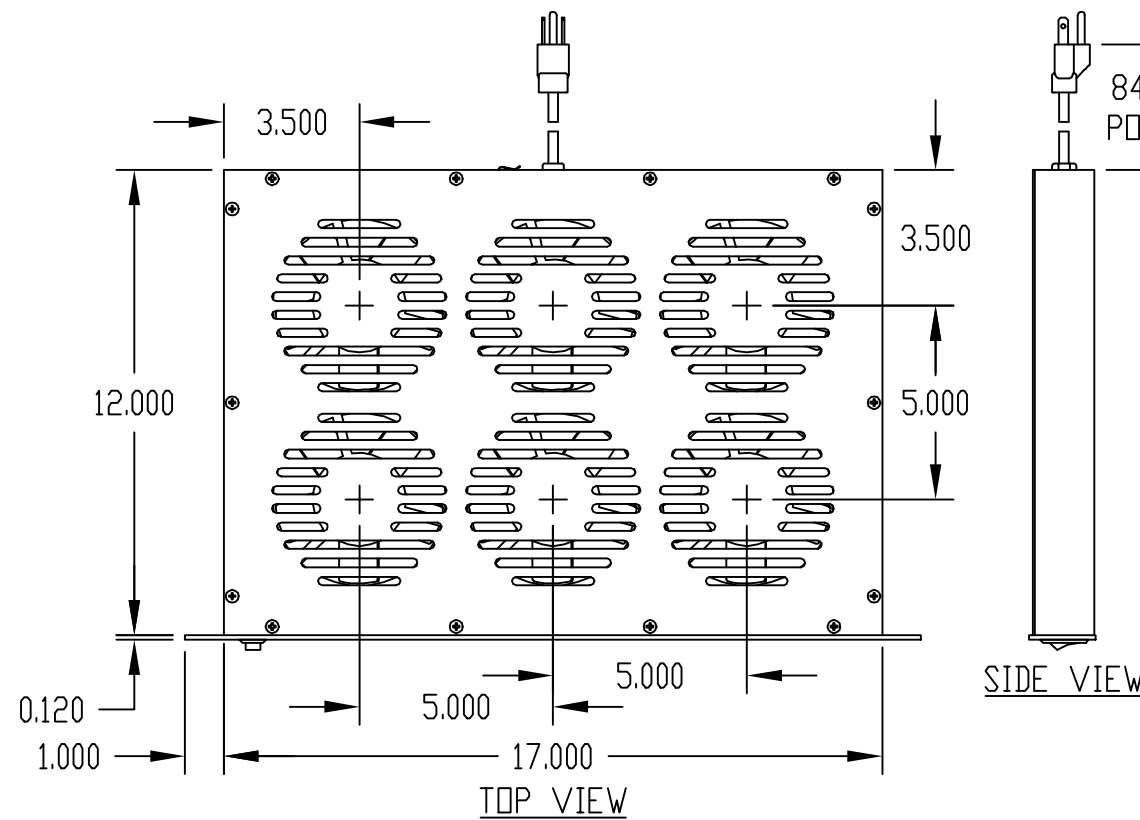
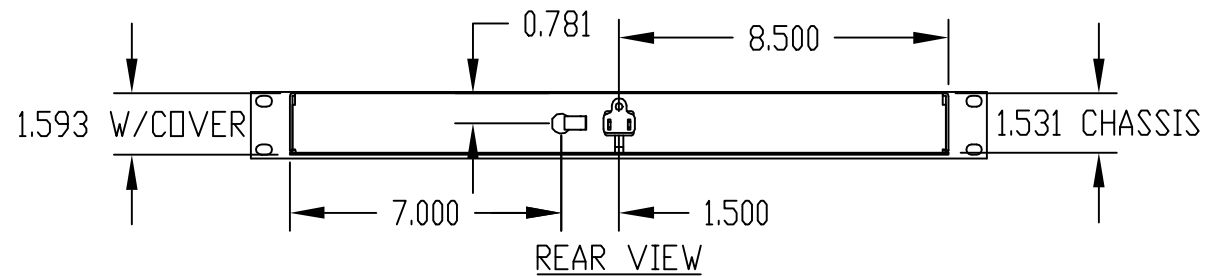
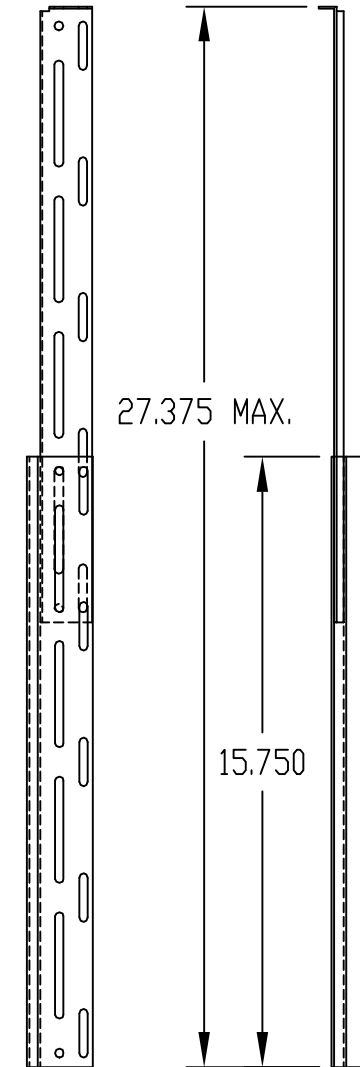
PART NAME

FAN TRAY ASSEMBLY (6) FANS

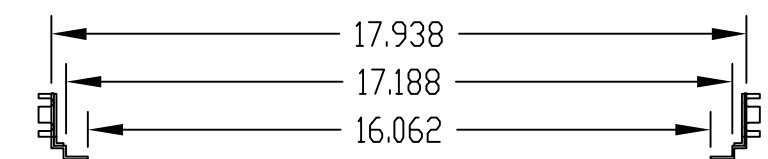
PART No.

FT-1976

REV. DATE



0.278 x 0.406  $\square$ ROUND (4) PLACES



MATERIAL:

CHASSIS, COVER & SUPPORT ANGLES \_\_\_\_\_ 16 GA. STEEL  
FRONT PANEL \_\_\_\_\_ 11 GA. STEEL

FINISH: SMOOTH BLACK

UNIT SUPPLIED FULLY ASSEMBLED EXCEPT SUPPORT ANGLES UNASSEMBLED.

FAN HOUSING: ONE-PIECE ZINC DIE CASTING  
IMPELLER: THERMOPLASTIC (UL-94-V0)

POWER	CFM	WATTS	TEMP. RANGE
115 V.A.C.	105	19/17	-20°C. TO +60°C.